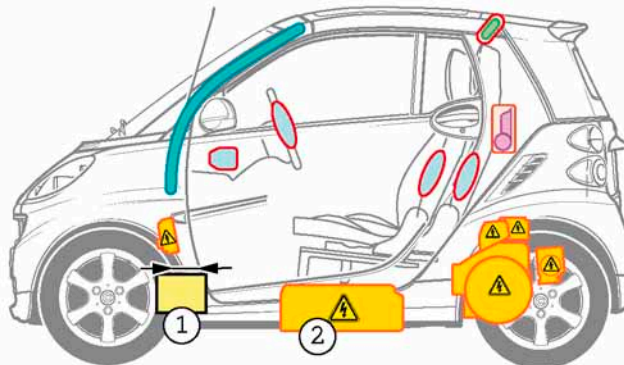
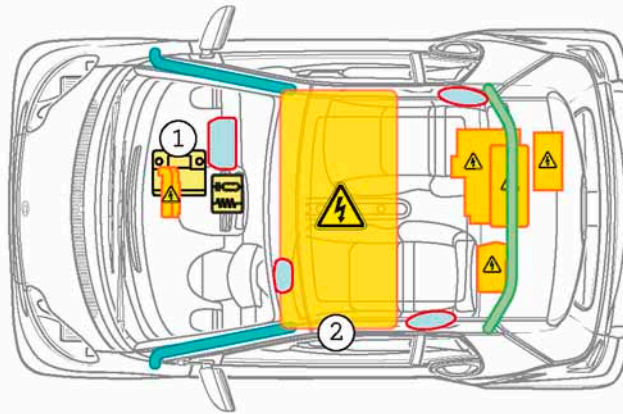
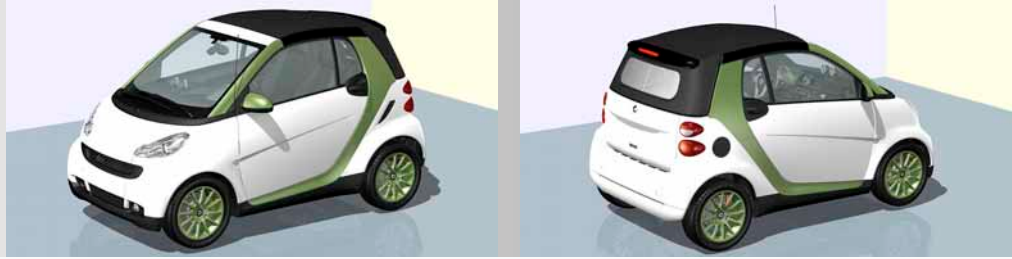


smart
fortwo
Cabriolet
electric drive
Model 451
as of 2009



- 1 12 V-battery
- 2 High-voltage battery

Legend

	Airbag		Structural reinforcements		Battery
	Gas generator		Rollover protection		High-voltage components
	Seat belt tensioner		Fuel tank		Cutting points
	Gas filled spring device		Control unit		